



fragments

loomma







inspiration



**FRAGMENTS**  
From Waste to Original Gemstones

The first lighting collection using Fragmentglass. A new glass material by BOMMA that upcycles shards of glass from previous production to give them new life. The new lighting carries BOMMA's signature combination of innovation, craft, technology and distinctive design. The shapes resemble gemstones created under pressure to reveal inner beauty.

Design by DECHEM Studio



## FRAGMENTS From Waste to Original Gemstones

The new BOMMA Fragments Collection by DECHEM Studio offers lighting in two sizes – short and long, and three colors – Black, White and Flamingo Mint. Their minimalist mountings are available in brushed gold or anthracite. Fragments Collection enables creative groupings of components depending on available space, following the principles of BOMMA Constellations.

Design by DECHEM Studio

production





Fragmentglass is a new material that upcycles glass shards that failed to pass strict quality control of BOMMA's crystal lighting.



Each Fragmentglass panel is carefully assembled by stacking glass shards into a melting mold.



The designers carefully curated a color palette, allowing only certain ratios of colored shards to achieve the desired effect.



The final appearance of each panel is the result of creative randomness, since it is not possible to control the melting process.



Each piece is first cut from the Fragmentglass panel and then meticulously hand-cut by the master glass cutter.

lomma

options



black  
brushed gold



white  
anthracite



flamingo mint  
brushed gold

# single pendant long



black  
anthracite



white  
brushed gold



flamingo mint  
anthracite

# single pendant short



projects



Fragments collection, white glass, 6 pcs, brushed gold fitting



Fragments collection, black glass, 14 pcs, anthracite fitting



Fragments collection, flamingo mint glass, 22 pcs, anthracite fitting

technical information

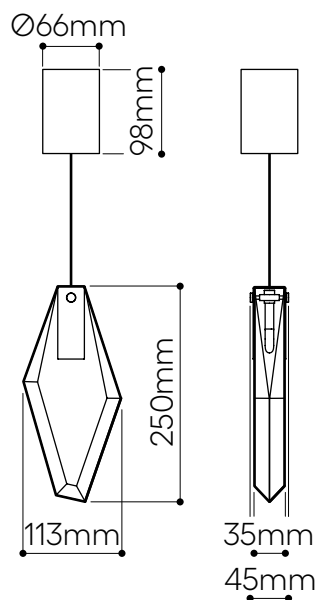
# FRAGMENTS

## pendant long

Design by  
Dechem Studio

### Handmade glass attributes

Each Fragmentglass panel is uniquely crafted by stacking glass shards in a melting mould. This process introduces natural elements like bubbles and iron traces, which enhance the panel's aesthetic. While designers control the colour, shard size, and format, the final appearance may vary due to the unpredictable melting process. These variations are intentional and add to the panel's uniqueness.



### LIGHTING DESCRIPTION

Size	113 x 45 mm, H 250 mm 4,4 x 1,8 inch, H 9,8 inch
Cable	transparent 2,5 m / 98,4 inch
Weight	+ - 1,5 kg / 3,3 lb
Glass	Fragmentglass in black, white and flamingo mint color
Mounting	brushed gold (brushed brass) anthracite (brass and galvanized black nickel)
Protection	IP 20
Nominal voltage	220-240V A.C. 50 hz (EU) 110-120 V A.C. 60 Hz (USA)
Class	III. EU / II. USA

### LIGHT SOURCE

Type	G4, 1,2W LED, 100 lm
Base	G4 (EU) / G4 (USA)
Voltage	12V, AC
Temperature	2700 K
Color index	RA 90+
Dimming	EU/Other versions - dimmable in constellations, non dimmable as a single pendant. UL/The Americas - dimmable in constellations and as a single pendant.

### TRANSFORMER

Primary	100-240V, 50/60 Hz, 0,04A
Dimmer	DC 700mA (0,5V-4V) 1x3W

### PACKAGING

Material	Cardboard
Size	392 x 392 x 120 mm 15,4 x 15,4 x 4,7 inch

Origin: traditionally produced in the Czech Republic  
Intellectual property license holder: Bomma Czech Republic (EU)  
Represented by BMRC group s.r.o.

CERTIFICATES



bomma

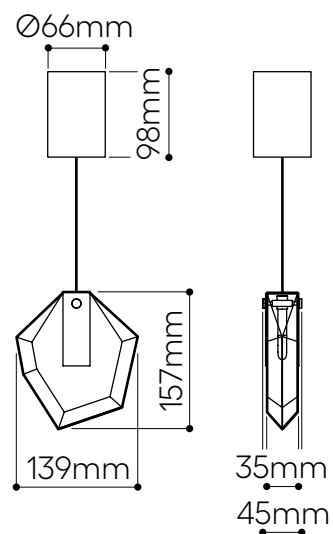
# FRAGMENTS

## pendant short

Design by  
Dechem Studio

### Handmade glass attributes

Each Fragmentglass panel is uniquely crafted by stacking glass shards in a melting mould. This process introduces natural elements like bubbles and iron traces, which enhance the panel's aesthetic. While designers control the colour, shard size, and format, the final appearance may vary due to the unpredictable melting process. These variations are intentional and add to the panel's uniqueness.



### LIGHTING DESCRIPTION

Size	139 x 45 mm, H 157 mm 5,5 x 1,8 inch, H 6,2 inch
Cable	transparent 2,5 m / 98,4 inch
Weight	+ - 1,2 kg / 2,6 lb
Glass	Fragmentglass in black, white and flamingo mint color
Mounting	brushed gold (brushed brass) anthracite (brass and galvanized black nickel)
Protection	IP 20
Nominal voltage	220-240V A.C. 50 hz (EU) 110-120 V A.C. 60 Hz (USA)
Class	III. EU / II. USA

### LIGHT SOURCE

Type	G4, 1,2W LED, 100 lm
Base	G4 (EU) / G4 (USA)
Voltage	12V, AC
Temperature	2700 K
Color index	RA 90+
Dimming	EU/Other versions - dimmable in constellations, non dimmable as a single pendant. UL/The Americas - dimmable in constellations and as a single pendant.

### TRANSFORMER

Primary	100-240V, 50/60 Hz, 0,04A
Dimmer	DC 700mA (0,5V-4V) 1x3W

### PACKAGING

Material	Cardboard
Size	392 x 392 x 120 mm 15,4 x 15,4 x 4,7 inch

Origin: traditionally produced in the Czech Republic  
Intellectual property license holder: Bomma Czech Republic (EU)  
Represented by BMRC group s.r.o.

CERTIFICATES



bomma

BMRC Group s.r.o.  
Pod Dráhou 1638/7  
Prague 7, 170 00,  
Czech Republic

[info@bomma.cz](mailto:info@bomma.cz)

step beyond